

PLANIT KITCHENS

(Planit Enterprises p/l ACN 07612802)

BSC Licence No: 81123C

Showroom 4365 1599

Factory 4355 5555

NAME:-

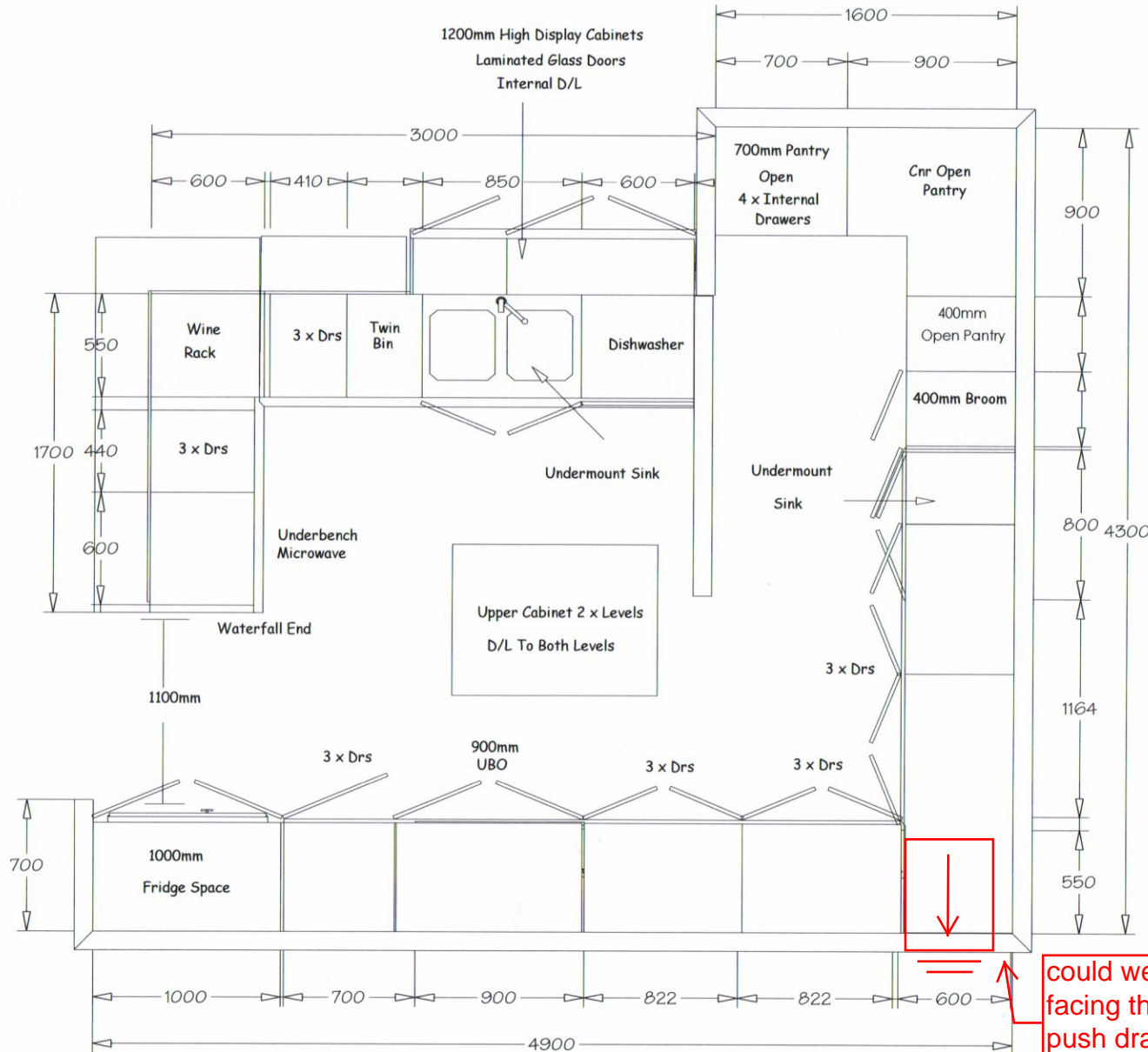
Tullipan - Mantilla **KITCHEN**

24 Paddock Close
ELERMORE VALE

PHONE:- 0439 383 622

EMAIL:- johnmmd@mantilla.net.au

PLANS REMAIN THE PROPERTY OF PLANIT KITCHENS



Ceiling: 2740 High

Cabinets: 2640 High

Doors: Borgs Board

Option: Polyurethane Style 1

Benchtop: 20mm Standard
Reconstituted Stone

Handles: \$15 Value
No Handles To Overheads

Drawers: Metabox
Option: Tandem Soft Close

Kicks: As Doors

Feature Doors: Laminated
Glass

Splashback: Glass

could we have a 450+ drawer
facing the media room as a
push drawer please...

DATE DRAWN:- 2.7.15
SOLD BY:-
CHECK MEASURE BY:-
DRAWN BY:- Georgia

PLANIT KITCHENS

(Planit Enterprises p/l ACN 07612802)

BSC Licence No: 81123C

Showroom 4365 1599

Factory 4355 5555

NAME:-

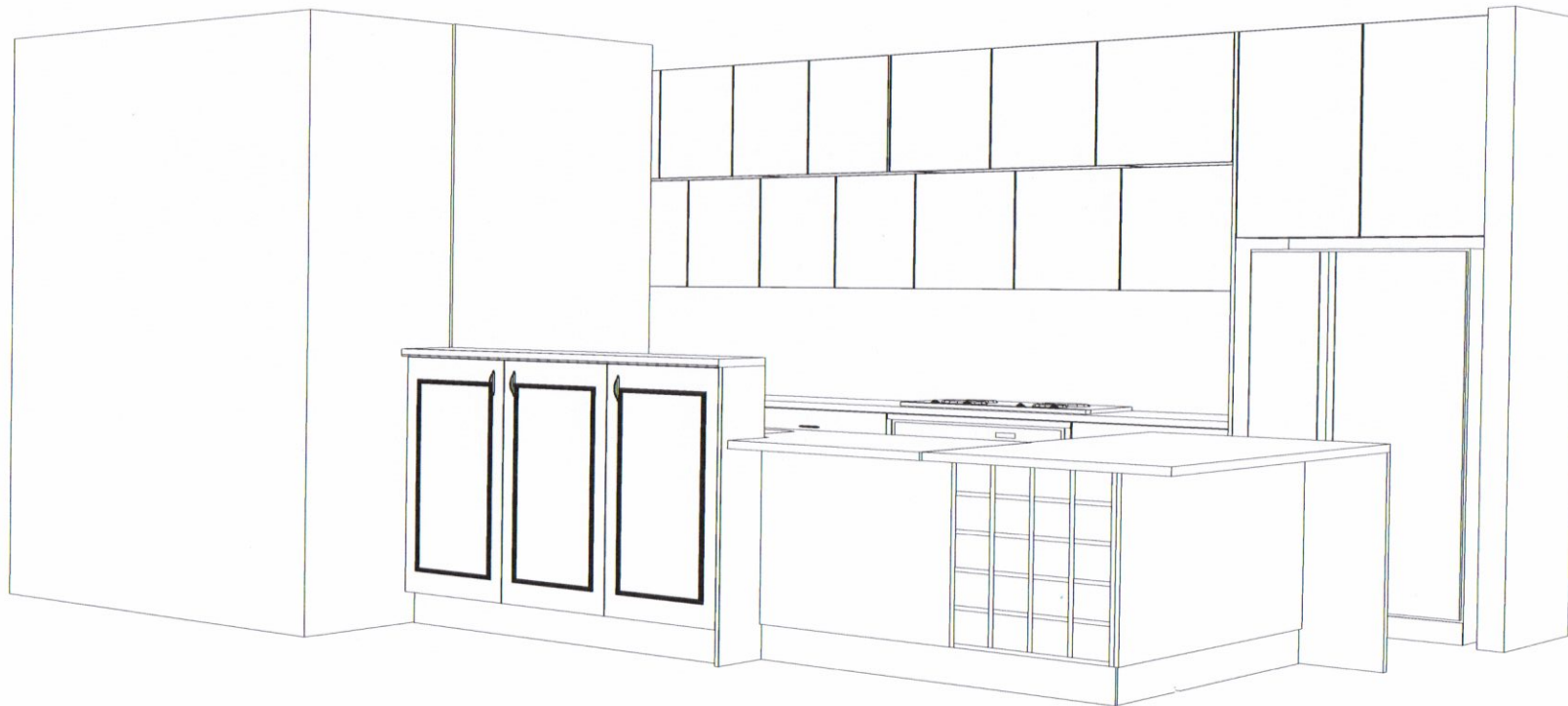
Tullipan - Mantilla KITCHEN

24 Paddock Close
ELERMORE VALE

PHONE:- 0439 383 622

EMAIL:- johnmmd@mantilla.net.au

PLANS REMAIN THE PROPERTY OF PLANIT KITCHENS



Ceiling: 2740 High

Cabinets: 2640 High

Doors: Borgs Board

Option: Polyurethane Style 1

Benchtop: 20mm Standard
Reconstituted Stone

Handles: \$15 Value

No Handles To Overheads

Drawers: Metabox

Option: Tandem Soft Close

Kicks: As Doors

Feature Doors: Laminated
Glass

Splashback: Glass

DATE DRAWN:- 2.7.15

SOLD BY:-

CHECK MEASURE BY:-

DRAWN BY:- Georgia

PLANIT KITCHENS

(Planit Enterprises p/l ACN 07612802)

BSC Licence No: 81123C

Showroom 4365 1599

Factory 4355 5555

NAME:-

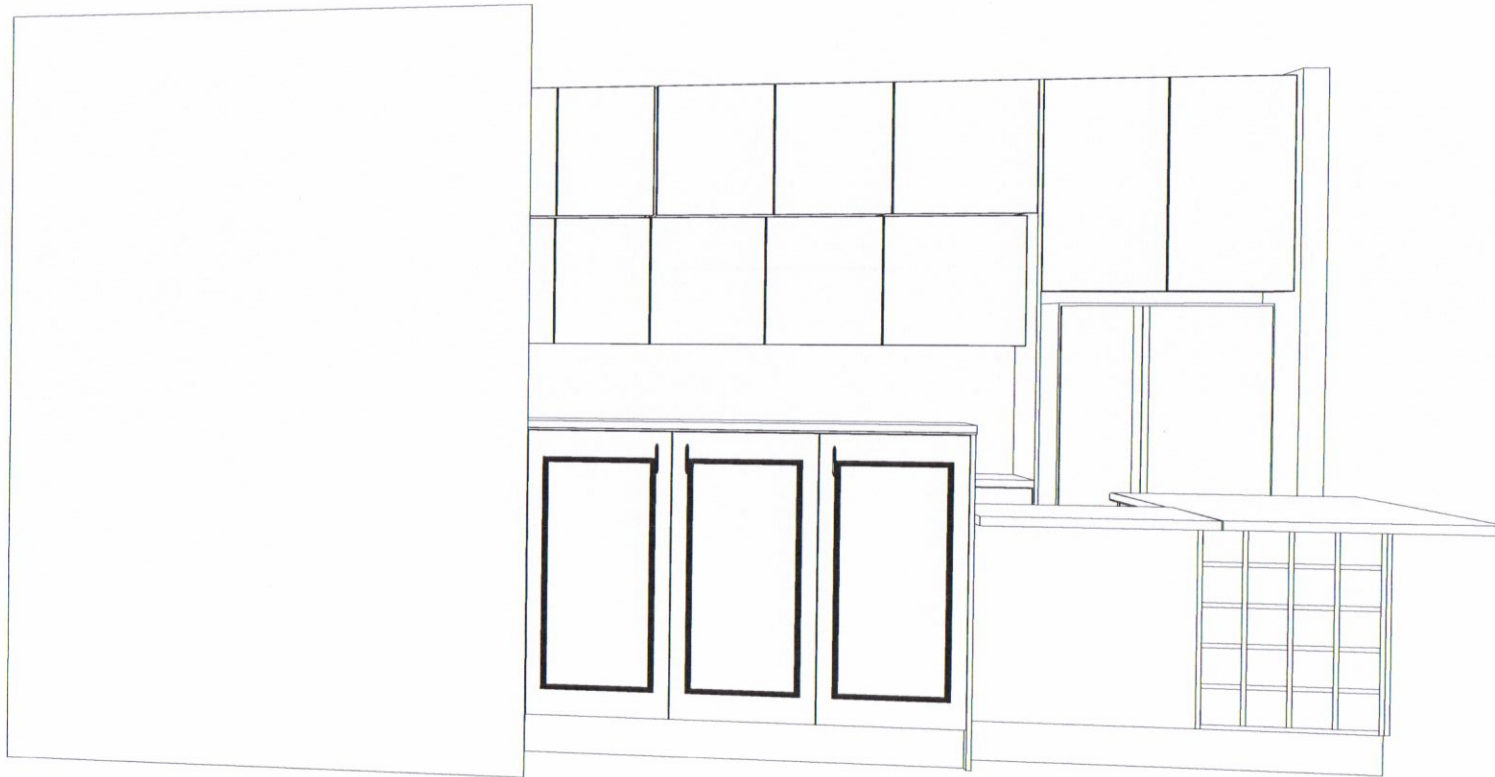
Tullipan - Mantilla KITCHEN

24 Paddock Close
ELERMORE VALE

PHONE:- 0439 383 622

EMAIL:- johnmmd@mantilla.net.au

PLANS REMAIN THE PROPERTY OF PLANIT KITCHENS



Ceiling: 2740 High

Cabinets: 2640 High

Doors: Borgs Board

Option: Polyurethane Style 1

Benchtop: 20mm Standard
Reconstituted Stone

Handles: \$15 Value

No Handles To Overheads

Drawers: Metabox

Option: Tandem Soft Close

Kicks: As Doors

Feature Doors: Laminated
Glass

Splashback: Glass

DATE DRAWN:- 2.7.15

SOLD BY:-

CHECK MEASURE BY:-

DRAWN BY:- Georgia

PLANIT KITCHENS

(Planit Enterprises p/l ACN 07612802)

BSC Licence No: 81123C

Showroom 4365 1599

Factory 4355 5555

NAME:-

Tullipan - Mantilla KITCHEN

24 Paddock Close

ELERMORE VALE

PHONE:- 0439 383 622

EMAIL:- johnmmd@mantilla.net.au

PLANS REMAIN THE PROPERTY OF PLANIT KITCHENS



Ceiling: 2740 High

Cabinets: 2640 High

Doors: Borgs Board

Option: Polyurethane Style 1

Benchtop: 20mm Standard
Reconstituted Stone

Handles: \$15 Value
No Handles To Overheads

Drawers: Metabox
Option: Tandem Soft Close

Kicks: As Doors

Feature Doors: Laminated
Glass

Splashback: Glass

DATE DRAWN:- 2.7.15

SOLD BY:-

CHECK MEASURE BY:-

DRAWN BY:- Georgia

PLANIT KITCHENS

(Planit Enterprises p/l ACN 07612802)

BSC Licence No: 81123C

Showroom 4365 1599

Factory 4355 5555

NAME:-

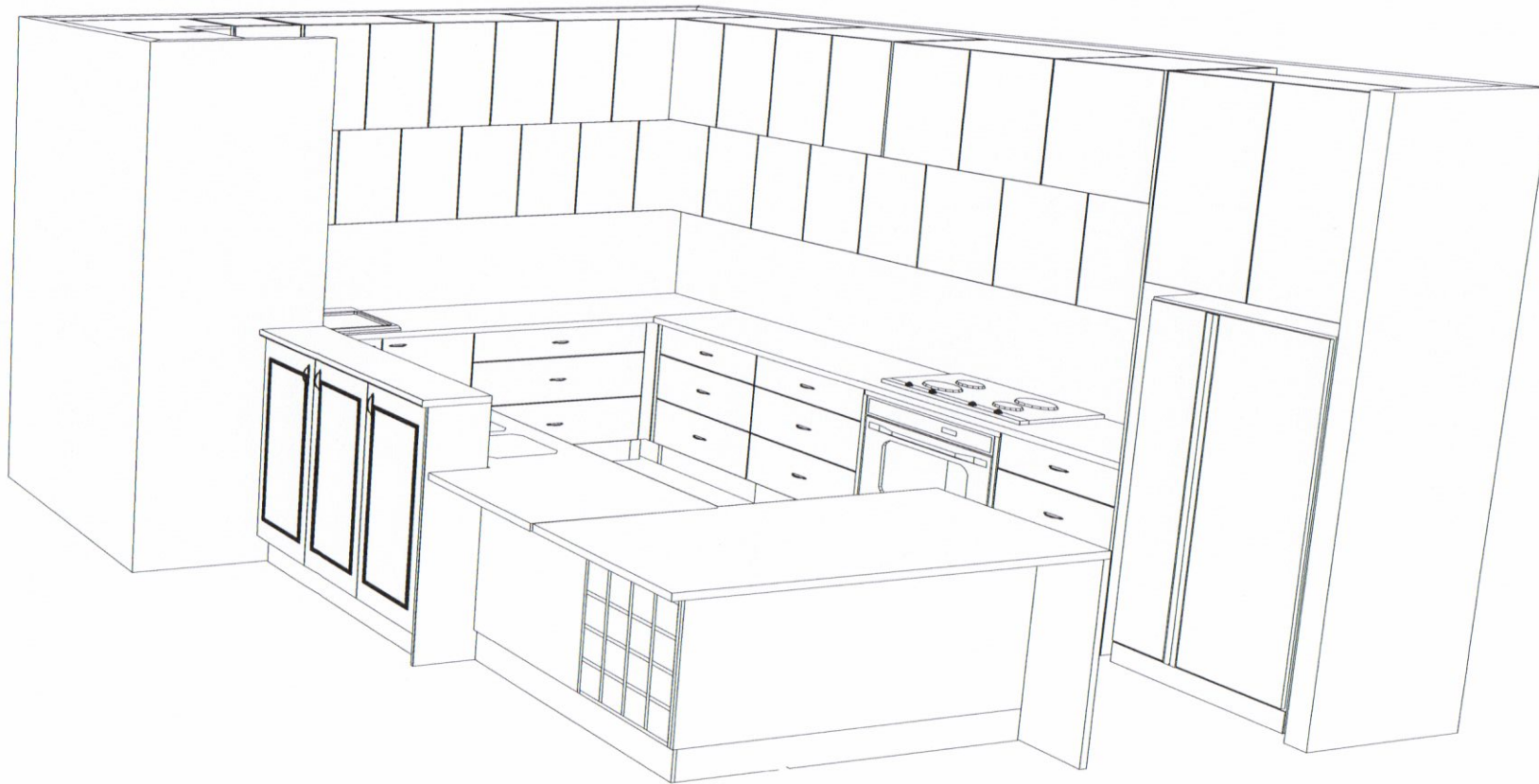
Tullipan - Mantilla KITCHEN

24 Paddock Close
ELERMORE VALE

PHONE:- 0439 383 622

EMAIL:- johnmmd@mantilla.net.au

PLANS REMAIN THE PROPERTY OF PLANIT KITCHENS



Ceiling: 2740 High

Cabinets: 2640 High

Doors: Borgs Board

Option: Polyurethane Style 1

Benchtop: 20mm Standard
Reconstituted Stone

Handles: \$15 Value

No Handles To Overheads

Drawers: Metabox

Option: Tandem Soft Close

Kicks: As Doors

Feature Doors: Laminated
Glass

Splashback: Glass

DATE DRAWN:- 2.7.15

SOLD BY:-

CHECK MEASURE BY:-

DRAWN BY:- Georgia

PLANIT KITCHENS

(Planit Enterprises p/l ACN 07612802)

BSC Licence No: 81123C

Showroom 4365 1599

Factory 4355 5555

NAME:-

Tullipan - Mantilla KITCHEN

24 Paddock Close

ELERMORE VALE

PHONE:- 0439 383 622

EMAIL:- johnmmd@mantilla.net.au

PLANS REMAIN THE PROPERTY OF PLANIT KITCHENS



Ceiling: 2740 High

Cabinets: 2640 High

Doors: Borgs Board

Option: Polyurethane Style 1

Benchtop: 20mm Standard
Reconstituted Stone

Handles: \$15 Value
No Handles To Overheads

Drawers: Metabox
Option: Tandem Soft Close

Kicks: As Doors

Feature Doors: Laminated
Glass

Splashback: Glass

DATE DRAWN:- 2.7.15

SOLD BY:-

CHECK MEASURE BY:-

DRAWN BY:- Georgia

PLANIT KITCHENS

(Planit Enterprises p/l ACN 07612802)

BSC Licence No: 81123C

Showroom 4365 1599

Factory 4355 5555

NAME:-

Tullipan - Mantilla KITCHEN

24 Paddock Close
ELERMORE VALE

PHONE:- 0439 383 622

EMAIL:- johnmmd@mantilla.net.au

PLANS REMAIN THE PROPERTY OF PLANIT KITCHENS



Ceiling: 2740 High

Cabinets: 2640 High

Doors: Borgs Board

Option: Polyurethane Style 1

Benchtop: 20mm Standard
Reconstituted Stone

Handles: \$15 Value
No Handles To Overheads

Drawers: Metabox
Option: Tandem Soft Close

Kicks: As Doors

Feature Doors: Laminated
Glass

Splashback: Glass

DATE DRAWN:- 2.7.15
SOLD BY:-
CHECK MEASURE BY:-
DRAWN BY:- Georgia

PLANIT KITCHENS

(Planit Enterprises p/l ACN 07612802)

BSC Licence No: 81123C

Showroom 4365 1599

Factory 4355 5555

NAME:-

Tullipan - Mantilla KITCHEN

24 Paddock Close

ELERMORE VALE

PHONE:- 0439 383 622

EMAIL:- johnmmd@mantilla.net.au

PLANS REMAIN THE PROPERTY OF PLANIT KITCHENS



Ceiling: 2740 High

Cabinets: 2640 High

Doors: Borgs Board

Option: Polyurethane Style 1

Benchtop: 20mm Standard
Reconstituted Stone

Handles: \$15 Value

No Handles To Overheads

Drawers: Metabox

Option: Tandem Soft Close

Kicks: As Doors

Feature Doors: Laminated
Glass

Splashback: Glass

DATE DRAWN:- 2.7.15

SOLD BY:-

CHECK MEASURE BY:-

DRAWN BY:- Georgia

PLANIT KITCHENS

(Planit Enterprises p/l ACN 07612802)

BSC Licence No: 81123C

Showroom 4365 1599

Factory 4355 5555

NAME:-

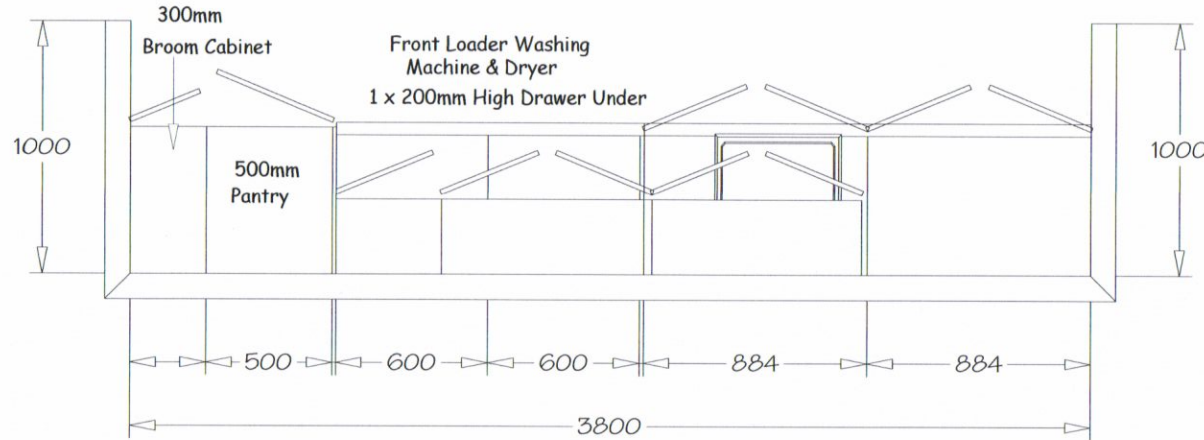
Tullipan - Mantilla LAUNDRY

24 Paddock Close
ELERMORE VALE

PHONE:- 0439 383 622

EMAIL:- johnmmd@mantilla.net.au

PLANS REMAIN THE PROPERTY OF PLANIT KITCHENS



Ceiling: 2740 High

Cabinets: 2100 High

Doors: Borgs Board

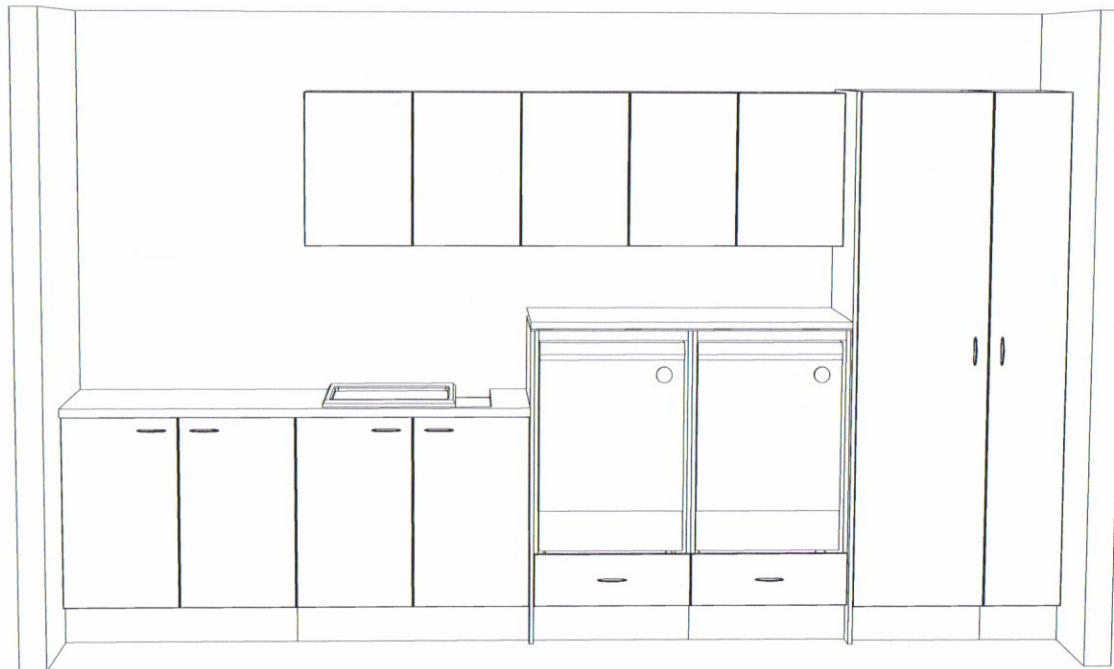
Benchtop: Laminate

Handles: \$10 Value

No Handles To Overheads

Drawers: Metabox

Kicks: Laminate



DATE DRAWN:- 4.7.15

SOLD BY:-

CHECK MEASURE BY:-

DRAWN BY:- Georgia