

UPPER FLOOR PLAN
SCALE 1:100

- CUSTOM**
- 1/2 install owner supplied light fitting
 - ✱ 1/2 install owner supplied fan
 - ✱ 1/2 install owner supplied Fan/Light.
 - ⊕ Ex Fan (No Duct)
 - ⊞ Ex fan (Ducted Exhaust)
 - ∞ = 2 heat 1xL (No Duct)
 - 100 = 2 heat 1xL (Ducted)
 - ⊕ = Batten Fix only.
 - Fluoro-light.

plan prepared by
BUILDTECH
 DESIGN & DEVELOPMENT
 ACCREDITED BUILDING DESIGNERS ABN 54 539 725 979
 Suite 18 - No.1 RELIANCE DRIVE,
 TUGGERAH N.S.W.2259
 ph.4351 8988
 fax.4353 8655
 email:buildtech@cccl.net.au
 bda BUILDING DESIGNERS ASSOCIATION OF AUSTRALIA
 Membership No. 930099

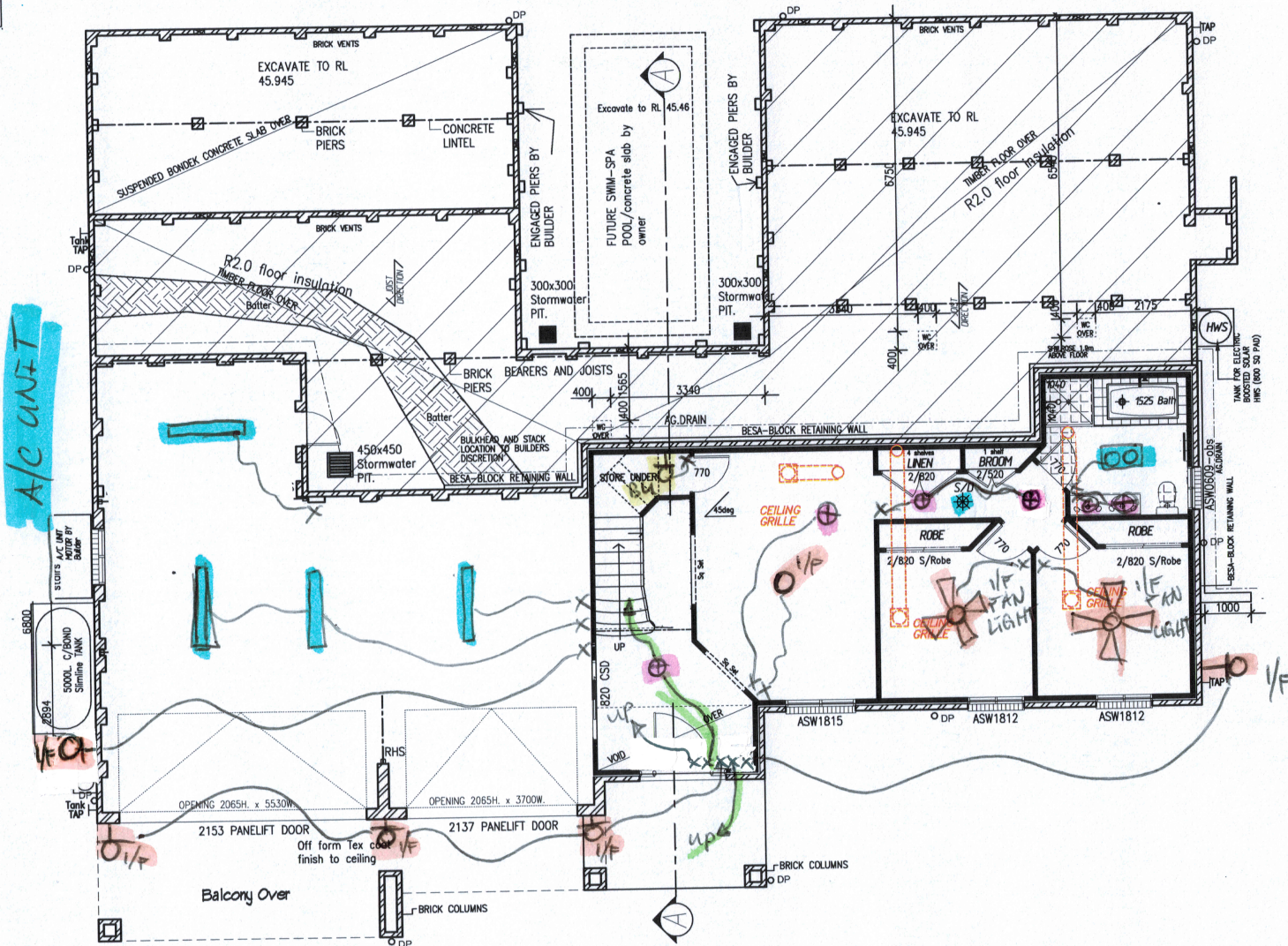
TULLIPAN HOMES PTY LTD
 Lic. No. 131446C
 PH 02 4353 8644 Suite 18, 1 Reliance Dr
 FAX 02 4353 8655 Tuggerah Business Park
 Tuggerah NSW 2259
 www.tullipanhomes.com.au PO Box 5148
 www.spitdevelophomes.com.au CHITTAWAY BAY NSW 2261

CLIENT **J. & C. MANTILLA**
 JOB **PROPOSED RESIDENCE**
 LOCATION **24 PADDOCK CLOSE
 ELMORE VALE**

— BUILDER TO CHECK ALL DETAILS AND DIMENSIONS PRIOR TO CONSTRUCTION.
 — FIGURED DIMENSIONS TAKE PREFERENCE OVER SCALE.

SHEET 3 of 11	DATE 03/02/2015	DWG No. 6269-CP3
------------------	--------------------	---------------------

FIXING LEGEND	
TOWEL RAIL	—
TOILET ROLL	■
TOWEL RING	○



- 1/2 install - owner supplied Light Fitting
- ✦ 1/2 install owner supplied Fan/light
- ⊕ - Batten Fix
- Double Fluoro
- ⊞ - 2 heat i/c (Ducted Ex)

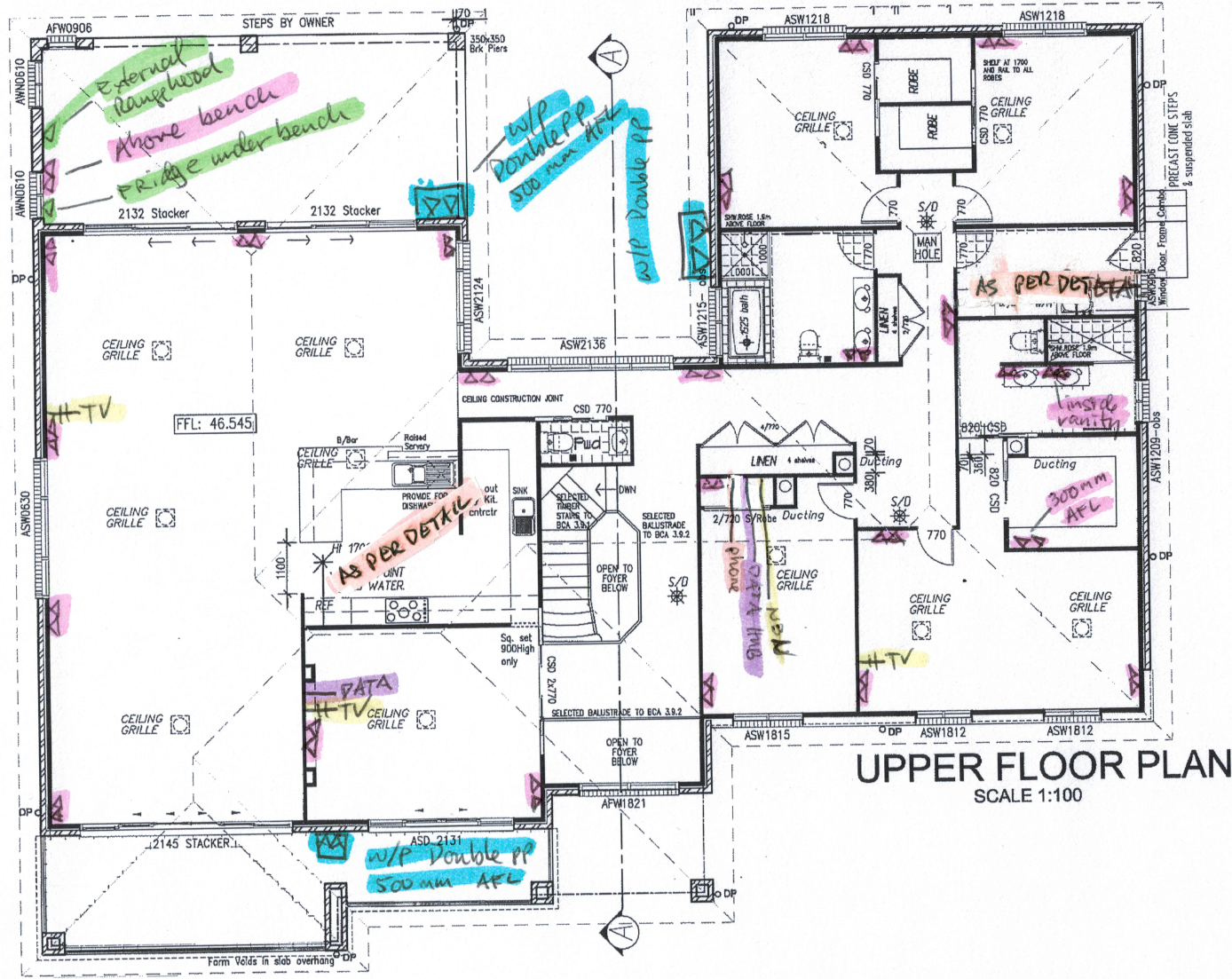
plan prepared by
BUILTECH
DESIGN & DEVELOPMENT
 ACCREDITED BUILDING DESIGNERS ARN 54 539 725 979
 Suite 18 - No.1 Reliance Drive,
 TUGGERAH N.S.W.2259
 ph.4351 8988
 fax.4353 8655
 email:buildtech@ccci.net.au
 Membership No. 930099

TULLIPAN HOMES PTY LTD
 Lic. No. 131448C
 PH 02 4353 8644
 FAX 02 4353 8655
 www.tullipanhomes.com.au
 Suite 18, 1 Reliance Dr
 Tuggerah Business Park
 Tuggerah NSW 2259
 PO Box 5148
 CHITTAWAY BAY NSW 2261
 www.spitlevelhomes.com.au

CLIENT **J. & C. MANTILLA**
 JOB **PROPOSED RESIDENCE**
 LOCATION **24 PADDOCK CLOSE
 ELMORE VALE**

— BUILDER TO CHECK ALL DETAILS AND DIMENSIONS PRIOR TO CONSTRUCTION.
 — FIGURED DIMENSIONS TAKE PREFERENCE OVER SCALE.
 SHEET 2 of 11
 DATE 03/02/2015
 DWG No. 6269-CP3

GROUND FLOOR PLAN
 SCALE 1:100



UPPER FLOOR PLAN
SCALE 1:100

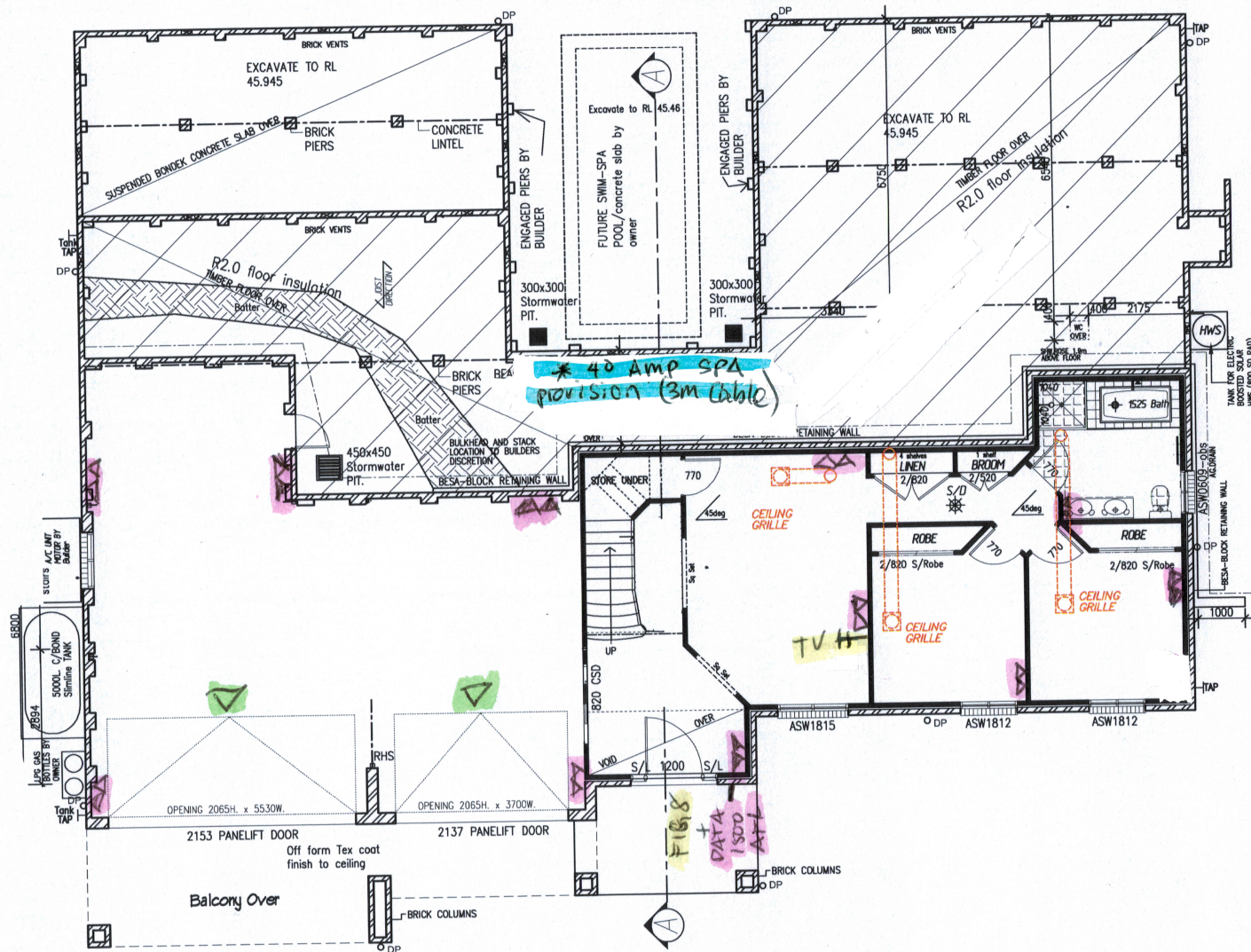
plan prepared by
BUILDTech
 DESIGN & DEVELOPMENT
 ACCREDITED BUILDING DESIGNERS ABN 54 539 725 979
 Suite 18 - No.1 RELIANCE DRIVE
 TUGGERAH N.S.W.2259
 ph.4351 8988
 fax.4353 8655
 email:buildtech@cccl.net.au
 bda BUILDING DESIGNERS AUSTRALIA
 Membership No. 930099

TULLIPAN HOMES PTY LTD
 Lic. No. 131448C
 PH 02 4353 8644 Suite 18, 1 Reliance Dr
 FAX 02 4353 8655 Tuggerah Business Park
 www.tullipanhomes.com.au PO Box 5148 Tuggerah NSW 2259
 www.spitlevelhome.com.au CHITAWAY BAY NSW 2261

CLIENT **J. & C. MANTILLA**
 JOB **PROPOSED RESIDENCE**
 LOCATION **24 PADDOCK CLOSE ELERMORE VALE**

— BUILDER TO CHECK ALL DETAILS AND DIMENSIONS PRIOR TO CONSTRUCTION.
 — FIGURED DIMENSIONS TAKE PREFERENCE OVER SCALE.
 SHEET **3 of 11** DATE **03/02/2015** DWG No. **6269-CP3**

FIXING LEGEND	
TOWEL RAIL	—
TOILET ROLL	■
TOWEL RING	○



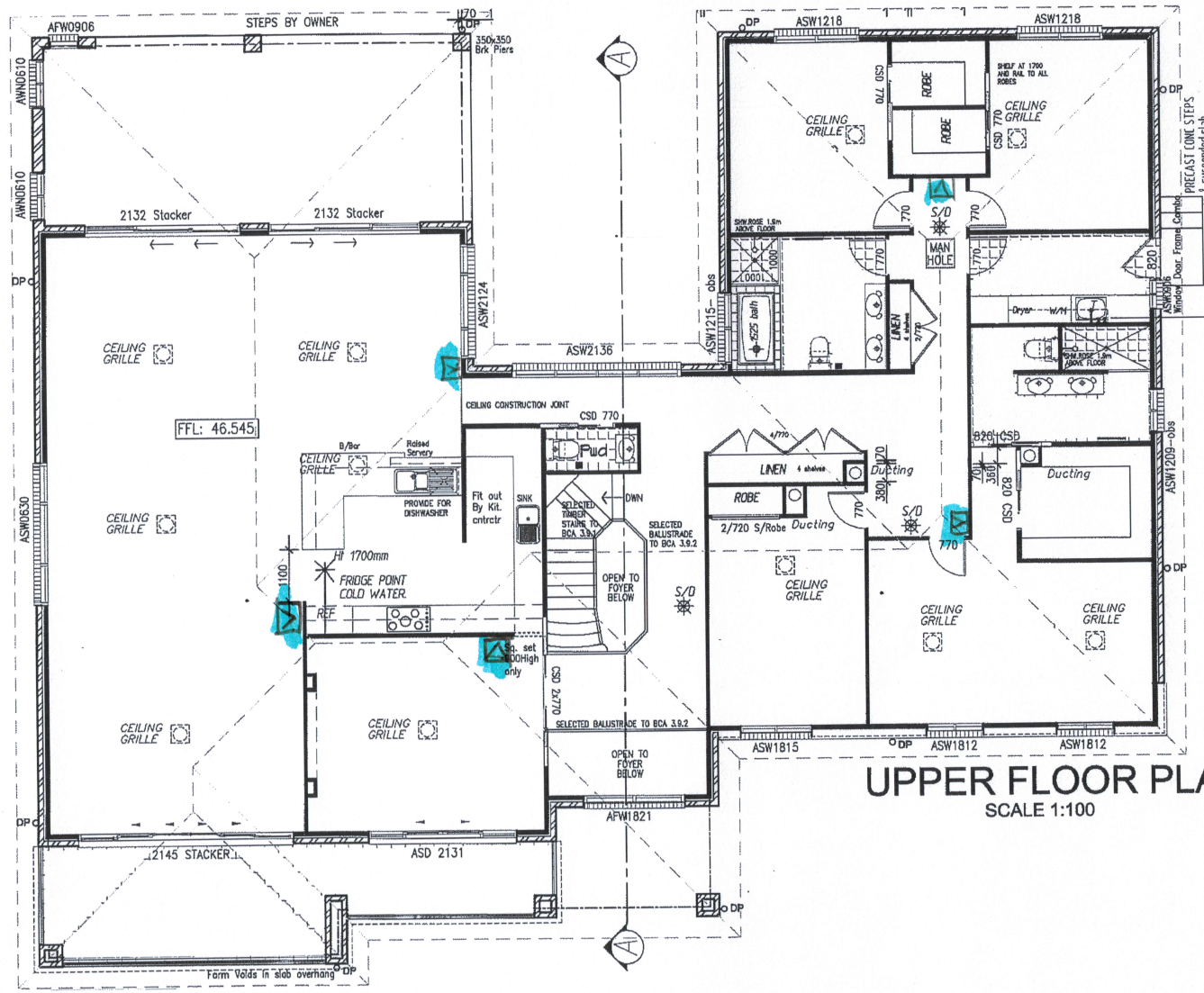
plan prepared by
BUILDTech
DESIGN & DEVELOPMENT
 ACCREDITED BUILDING DESIGNERS ABN 54 539 725 979
 Suite 18 - No.1 RELIANCE DRIVE,
 TUGGERAH N.S.W.2259
 ph.4351 8988
 fax.4353 8655
 email:buildtech@cci.net.au
 bda BUILDING DESIGNERS ASSOCIATION OF AUSTRALIA
 Membership No. 930099

TULLIPAN HOMES PTY LTD
 Lic. No. 131448C
 PH 02 4353 8644
 FAX 02 4353 8655
 www.tullipanhomes.com.au
 www.spitlevelhomes.com.au
 Suite 18, 1 Reliance Dr
 Tuggerah Business Park
 Tuggerah NSW 2259
 PO Box 5148
 CHITTAWAY BAY NSW 2261

CLIENT **J. & C. MANTILLA**
 JOB **PROPOSED RESIDENCE**
 LOCATION **24 PADDOCK CLOSE
 ELMORE VALE**

- BUILDER TO CHECK ALL DETAILS AND DIMENSIONS PRIOR TO CONSTRUCTION.
 - FIGURED DIMENSIONS TAKE PREFERENCE OVER SCALE.
 SHEET 2 of 11
 DATE 03/02/2015
 DWG No. 6269-CP3

GROUND FLOOR PLAN
 SCALE 1:100



UPPER FLOOR PLAN
SCALE 1:100

Beam Alliance System
 (V) outlet
 [V] inlet

plan prepared by
BUILDTech
 DESIGN & DEVELOPMENT
 ACCREDITED BUILDING DESIGNERS ABN 54 539 725 979
 Suite 18 - No.1 RELIANCE DRIVE,
 TUGGERAH N.S.W. 2259
 PH: 4351 8888
 FOX: 4353 8655
 email: buildtech@cc.net.au
 bda BUILDING DESIGNERS AUSTRALIA
 Membership No. 930099

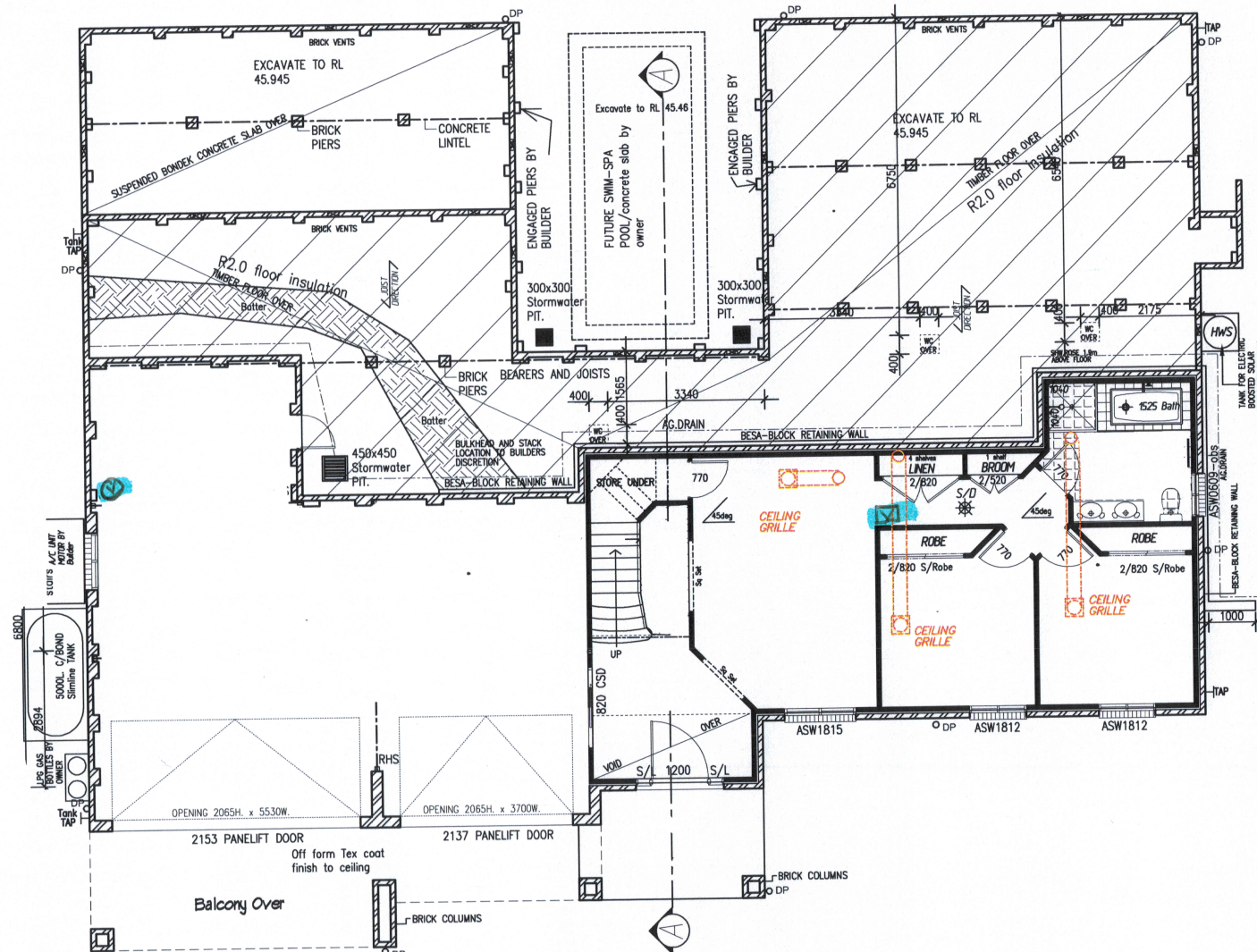
TULLIPAN HOMES PTY LTD
 Lic. No. 131446C
 PH 02 4353 8644 Suite 18, 1 Reliance Dr
 FAX 02 4353 8655 Tuggerah Business Park
 Tuggerah NSW 2259
 www.tullipanhomes.com.au PO Box 5148
 www.spflevelhomes.com.au CHITTAWAY BAY NSW 2261

CLIENT **J. & C. MANTILLA**
 JOB **PROPOSED RESIDENCE**
 LOCATION **24 PADDOCK CLOSE
 ELMORE VALE**

- BUILDER TO CHECK ALL DETAILS AND DIMENSIONS PRIOR TO CONSTRUCTION.
 - FIGURED DIMENSIONS TAKE PREFERENCE OVER SCALE.

SHEET 3 of 11	DATE 03/02/2015	DWG No. 6269-CP3
------------------	--------------------	---------------------

FIXING LEGEND	
TOWEL RAIL	—
TOILET ROLL	■
TOWEL RING	○



Vac outlet
 Vac Inlet

plan prepared by
BUILDTech
 DESIGN & DEVELOPMENT
 ACCREDITED BUILDING DESIGNERS ABN 54 539 725 979
 Suite 18 - No.1 RELIANCE DRIVE.
 TUGGERAH N.S.W.2259
 ph.4351 8988
 fax.4353 8655
 email: buildtech@cc.net.au
 bda BUILDING DESIGNERS ASSOCIATION
 Membership No. 930099

TULLIPAN HOMES PTY LTD
 Lic. No. 131446C
 PH 02 4353 8644
 FAX 02 4353 8655
 www.tullipanhomes.com.au
 www.spitlevelhomes.com.au
 Suite 18, 1 Reliance Dr
 Tuggerah Business Park
 Tuggerah NSW 2259
 PO Box 5148
 CHITTAWAY BAY NSW 2261

CLIENT **J. & C. MANTILLA**
 JOB **PROPOSED RESIDENCE**
 LOCATION **24 PADDOCK CLOSE
 ELMORE VALE**

— BUILDER TO CHECK ALL DETAILS AND DIMENSIONS PRIOR TO CONSTRUCTION.
 FIGURED DIMENSIONS TAKE PREFERENCE OVER SCALE.
 SHEET 2 of 11
 DATE 03/02/2015
 DWG No. 6269-CP3

GROUND FLOOR PLAN

SCALE 1:100



- Ceiling: 2740 High
- Cabinets: 2640 High
- Doors: Borgs Board
- Option: Polyurethane Style 1
- Benchmark: 20mm Standard
- Reconstituted Stone
- Handles: \$15 Value
- No Handles To Overheads
- Drawers: Metabox
- Option: Tandem Soft Close
- Kicks: As Doors
- Feature Doors: Laminated Glass
- Splashback: Glass

PLANS REMAIN THE PROPERTY OF PLANT KITCHENS

NAME:-
Tullipan - Mantilla
24 Paddock Close
ELERMORE VALE
PHONE:- 0439 383 622
EMAIL:- johnmmd@mantilla.net.au

PLANT KITCHENS
(Plant Enterprises p/l ACN 07612802)
BSC Licence No: 81123C
Showroom 4365 1599
Factory 4355 5555

PLANIT KITCHENS

(Planit Enterprises p/l ACN 07612802)

BSC Licence No: 81123C

Showroom 4365 1599

Factory 4355 5555

NAME:-

Tullipan - Mantilla KITCHEN

24 Paddock Close

ELERMORE VALE

PHONE:- 0439 383 622

EMAIL:- johnmmd@mantilla.net.au

PLANS REMAIN THE PROPERTY OF PLANIT KITCHENS



Ceiling: 2740 High

Cabinets: 2640 High

Doors: Borgs Board

Option: Polyurethane Style 1

Benchtop: 20mm Standard
Reconstituted Stone

Handles: \$15 Value

No Handles To Overheads

Drawers: Metabox

Option: Tandem Soft Close

Kicks: As Doors

Feature Doors: Laminated
Glass

Splashback: Glass

DATE DRAWN:- 2.7.15

SOLD BY:-

CHECK MEASURE BY:-

DRAWN BY:- Georgia

PLANIT KITCHENS

(Planit Enterprises p/l ACN 07612802)

BSC Licence No: 81123C

Showroom 4365 1599

Factory 4355 5555

NAME:-

Tullipan - Mantilla LAUNDRY

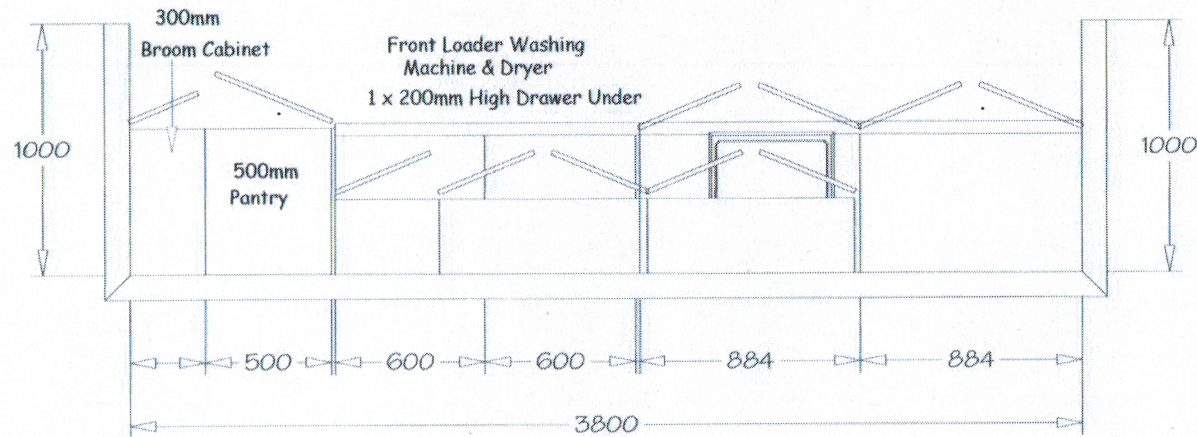
24 Paddock Close

ELERMORE VALE

PHONE:- 0439 383 622

EMAIL:- johnmmd@mantilla.net.au

PLANS REMAIN THE PROPERTY OF PLANIT KITCHENS



Ceiling: 2740 High

Cabinets: 2100 High

Doors: Borgs Board

Benchtop: Laminate

Handles: \$10 Value
No Handles To Overheads

Drawers: Metabox

Kicks: Laminate



DATE DRAWN:- 4.7.15
SOLD BY:-
CHECK MEASURE BY:-
DRAWN BY:- Georgia